

EASY TO INSTALL AND MAINTENANCE
Single aircraft cable mounting for easy mounting and leveling

INDIRECT ILLUMINATION
Clear acrylic dust cover allow generous indirect illumination and improved maintenance

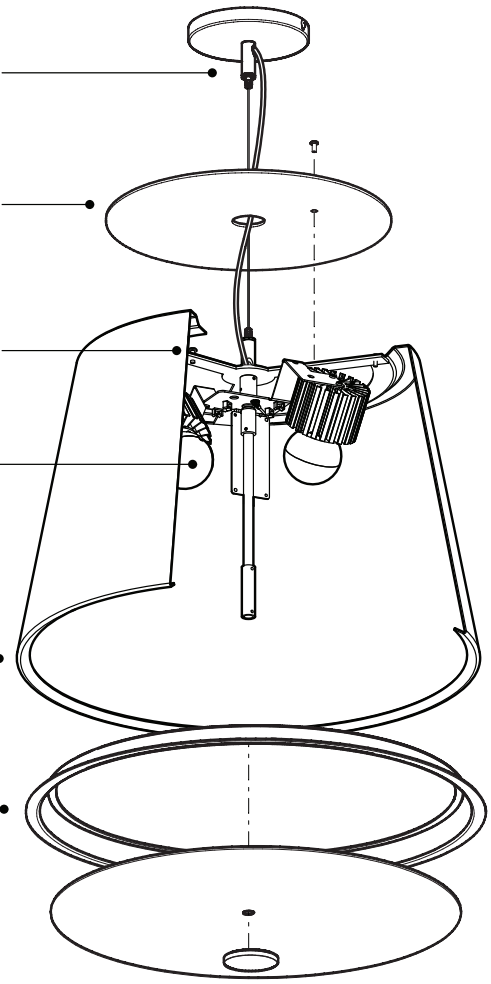
HEAVY DUTY CONSTRUCTION
Combined with a 3-way shade holder and a reflector in white finish

LED LIGHT SOURCES
Integrated LED module offering impressive illumination

CLASSIC DESIGN
Elegantly styled and proportioned conic pendant
Die-spun aluminium shade with satin aluminium or white polyester powder coating finish

TRIM RING
Die-spun aluminium with satin aluminium finish

DIFFUSER LENS
Translucent white acrylic with satin aluminium support button
Providing a direct illumination



SPECIFICATIONS

LIGHT SOURCE
LUMENS RÉELS
CRI
CCT
DIMMING
VOLTAGE
SHADE
STRUCTURE
BOTTOM DIFFUSER
TOP DIFFUSER
WARRANTY

LED

2x COB LED
1034
80+ CRI or 90+ CRI
2700K, 3000K, 3500K or 4000K (3-step MacAdam ellipse)
Phase or 0-10V
120-277V
Die-Formed Spun 14 gauge aluminum with satin aluminum or white polyester powder-coated finish
Die-formed steel canopy and fittings with satin chrome or white finish
1/8" Translucent white acrylic
1/8" Clear acrylic
5 years



Photometric Report

4453-LED

CCT (K): 4000
 Delivered Lumens (lm): 1034
 System wattage (W)*: 18.9
 Distribution: Direct/Indirect
 Delivered Efficacy (lm/W): 55
 Photometric type: C

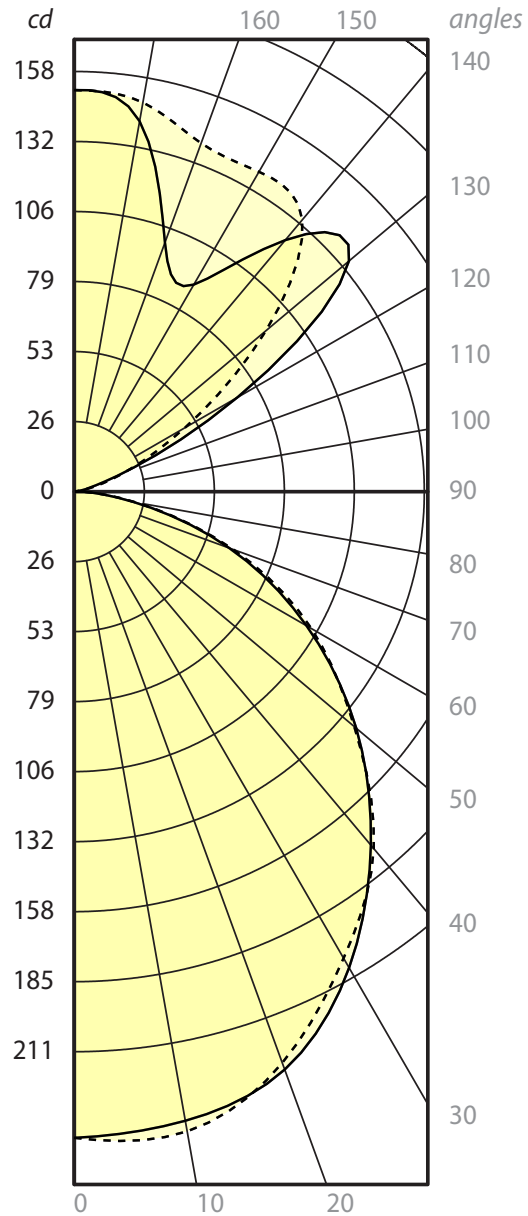
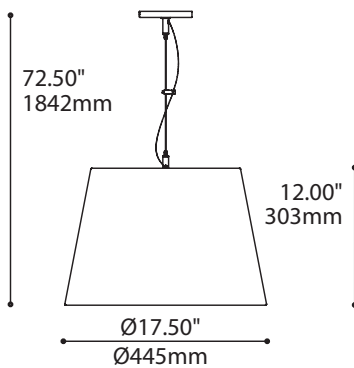
Luminous dimensions

Luminous shape: Rectangle
 Units: in (mm)
 0-180 Axis: 18.000 (457)
 90-270 Axis: 18.000 (457)
 Height: 24.000 (610)

Luminaire spacing criteria

2 luminaires, plane 0: 1.27
 2 luminaires, plane 90: 1.25
 4 luminaires: 1.37

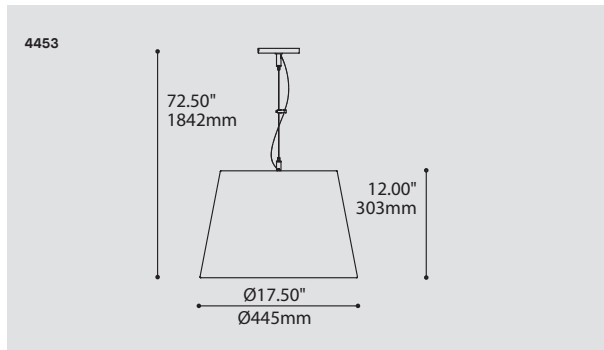
*System wattage include driver and LED module consumption



— 0 - 180
 - - - 90 - 270

AVA 4453

PROJECT PROJET
SPEC TYPE
NOTES



ORDERING SPECIFICATION	SPECIFICATION DE COMMANDE	CODE
MODEL MODÈLE		4453
4453	AVA	
LIGHT SOURCE SOURCE LUMINEUSE		
LED	REGULAR OUTPUT	
COLOR TEMPERATURE TEMPÉRATURE DE COULEUR		
27*	2700K	
30	3000K	
35	3500K	
40	4000K	
*LONGER LEAD TIME MAY APPLY, PLEASE CONTACT YOUR EUREKA REPRESENTATIVE		
COLOR RENDERING INDEX (CRI) INDICE DE RENDU DE COULEUR (IRC)		
80	80+ CRI	
90*	90+ CRI	
*LONGER LEAD TIME MAY APPLY, PLEASE CONTACT YOUR EUREKA REPRESENTATIVE		
VOLTAGE VOLTAGE		
120V	120 VOLT	
277V	277 VOLT	
DIMMING OPTION OPTION DE GRADATION		
DV	0-10V DIMMING (120-277V)	
DP	PHASE DIMMING (120V ONLY)	
LED DIMMING DRIVER IS STANDARD IN THIS PRODUCT, PLEASE SPECIFY YOUR DIMMING TYPE.		
CABLE CABLE		AC
AC	AIRCRAFT MOUNTING & CLEAR CABLE, FIELD ADJUSTABLE	
CABLE LENGTH LONGUEUR DE CABLE		
60	60" AIRCRAFT CABLE (STD LENGTH)	
**	CUSTOM AIRCRAFT CABLE LENGTH (PLEASE SPECIFY) FOR OVERALL LENGTH PLEASE CONTACT YOUR EUREKA REPRESENTATIVE.	
MOUNTING MONTAGE		
RC	ROUND CANOPY / PAVILLON ROND 0.5" CANOPY (2401C)* *3983 ACCESSORY PROVIDED	
STRUCTURE FINISH FINI STRUCTURE		
SC	SATIN CHROME	
WH	WHITE	
SHADE FINISH FINI ABAT-JOUR		
SA	SATIN ALUMINUM	
WH	WHITE	
ACRYLIC DIFFUSER FINISH FINI DIFFUSEUR ACRYLIQUE		WH
WH	WHITE	
ACCESSORY ACCESSOIRE		
3983*	DEEP JUNCTION BOX (PROVIDED WITH 2401C AS PER ABOVE) *JUNCTION BOX IS AVAILABLE FOR ADVANCE SHIPPING	

PRODUCT CHARACTERISTICS CARACTÉRISTIQUES DU PRODUIT



DESIGN:	Classically proportioned and elegantly styled conic pendant fixture with direct and indirect illumination.
INSTALLATION:	Easy to install, adjust and level single aircraft cable mounting.
LIGHT SOURCE:	High performance LED modules with standard 0-10V or phase dimming driver.
STRUCTURE:	Die-formed steel canopy and fittings with satin chrome or white finish.
SHADE:	Die-spun aluminum shade with satin aluminum or white polyester powder coating finish.
DIFFUSER:	Translucent white acrylic with satin aluminum trim ring and support button.
CERTIFIED:	c-CSA-us
CONCEPTION:	Classiquement proportionnée et au design élégant, cette suspension conique offre un éclairage direct et indirect.
INSTALLATION:	Facile à installer, ajuster et à équilibrer sur câble d'acier.
SOURCE LUMINEUSE:	Modules DEL haute performance avec gradation 0-10V ou phase.
STRUCTURE:	Pavillon et pièces d'acier embouti en fini chrome satiné ou blanc.
ABAT-JOUR:	Aluminium repoussé avec fini d'aluminium satiné ou peinture électrostatique à base de polyester blanche.
DIFFUSEUR:	Acrylique translucide blanc avec anneau et bouton de soutien en aluminium satiné.
CERTIFIÉ:	c-CSA-us

